

Name: \_\_\_\_\_

Core: \_\_\_\_\_

Week of: 3/9/20 - 3/13/20

## Week-By-Week

**Calculator Inactive:** Please show **ALL** your work and **circle** your final answer! Thanks!

1.) What is the value of  
 $(6^3 + 2^4) - 96 \div 4^2 + 29$

2.) Marshall had a job during his summer vacation. He earned \$8.75 per hour. He worked 23 hours per week for 6 weeks. How much money did Marshall earn?

3.) The area of Abby's room is  $21\frac{1}{8}$  square yards. If her room is  $6\frac{1}{2}$  yards long, what is its width?

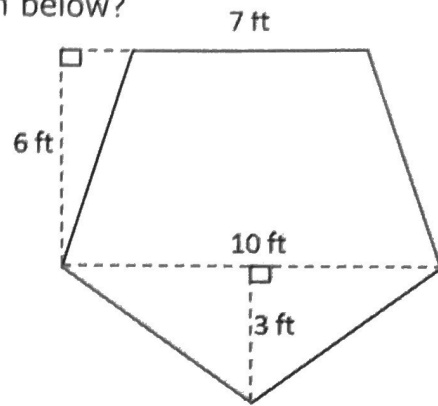
4.) What is the value of  
 $(3x + \frac{2}{3})^3$  when  $x = 0$ ?

**Calculator Active:** Please use a calculator, (circle) your final answer, and show any work necessary for you to be able to check your work.

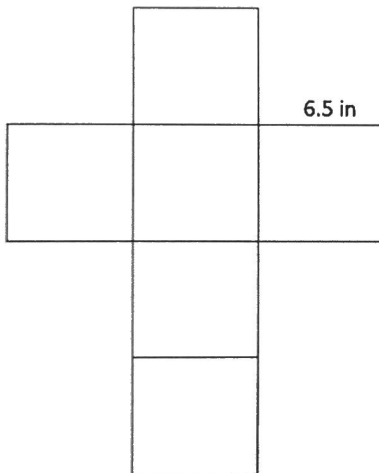
5.) Combine the like terms to simplify this expression.  
(Hint: remember to use the distributive property with parenthesis)

$$5(4f + 6) + 2f + 7(2v + 5) + 4v$$

6.) What is the area of the pentagon shown below?



7.) A net of a three-dimensional figure is shown. What is the surface area of the three-dimensional figure?



8.) Ninety-five 6th-grade students chose to watch a movie on the last day of school. This is 25% of the 6th-grade class. How many total students are in the 6th grade?

9.) Find the value if  $y = 4$  and  $x = 5$ .  
 $2y^2 + xy + 6x - 10$

10.) How many cubes with the side length of  $\frac{1}{4}$  in. would it take to fill the rectangular prism below?

